

Coffee System TANGO ACESELF, 1 group full- automatic machine with Cappuccinatore

ITEM # _____

MODEL # _____

NAME # _____

SIS # _____

AIA # _____


602558
(TANGOACEISELFLC)

Full-automatic machine, 1 group, 220x40 ml espresso cup/hr, 6,5 liter steam/coffee boiler, 1x1,7 kg and 1x1,2 kg coffee hopper, programmable water, Tango Cappuccinatore device with double function L: for hot milk and C: for foam by air injection

Short Form Specification

Item No.

The Tango® ACE fully takes advantage of the reliability, usability and exceptional extraction quality that has established the reputation of the TANGO® range.

In its Self version, the Tango® ACE comes with lockers for bean hoppers and waste coffee drawer, it has no steam outlet neither ground coffee box for security reason. The Tango® ACE Self version is ideal for using in all self-service areas with its self-explanatory 7" color touch screen user interface easy to use.

With the addition of the Cappuccinatore device, the Tango® ACE Self offers the choice of fresh milk-based beverages at the push of a button.

Main Features

- 1 group full-automatic machine with self service configuration.
- 6.5 liter steam/coffee boiler.
- Auto cleaning program.
- In its Self version, the Tango® ACE comes with lockers for bean hoppers and waste coffee drawer, it has no steam outlet neither ground coffee box for security reason. The Tango® ACE Self version is ideal for using in all self-service areas with its self-explanatory 7" color touch screen user interface easy to use.
- Programmable hot water.
- Tango Cappuccinatore device with double feature L: for hot milk and C: for foam by air injection.
- The Tango® ACE fully takes advantage of the reliability, usability and exceptional extraction quality that has established the reputation of the TANGO® range.
- With the Cappuccinatore device, the Tango® ACE Self offers the choice of fresh milk-based beverages at the push of a button.

Construction

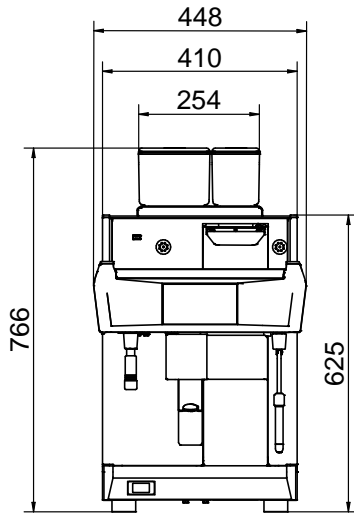
- 2 coffee grinders (1 x 1,7 kg & 1 x 1,2 kg coffee hoppers).
- LCD Touchscreen.
- PID (proportional-integral-derivative) Temperature control: a precise controller algorithm system that gives consistency and accuracy to brewing temperature management system.
- Safety locks.

Optional Accessories

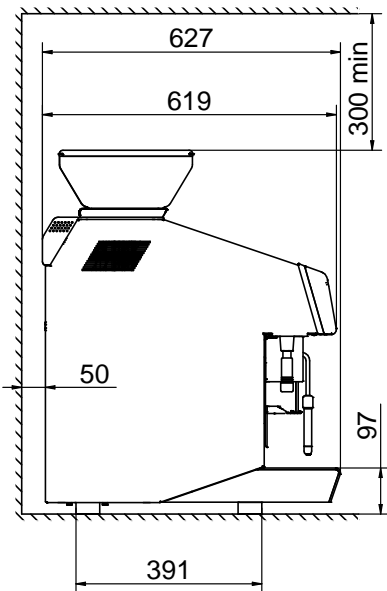
- Side milk refrigerator 8 liter nominal capacity for up to 4 liter milk containers PNC 871014
- Side milk refrigerator 8 liter nominal capacity for up to 4 liter milk containers with digital display PNC 871015
- TANGO hotel/breakfast service kit PNC 871022
- Coffee ground direct discharge chute PNC 871023
- Raised feet kit PNC 871041

APPROVAL: _____

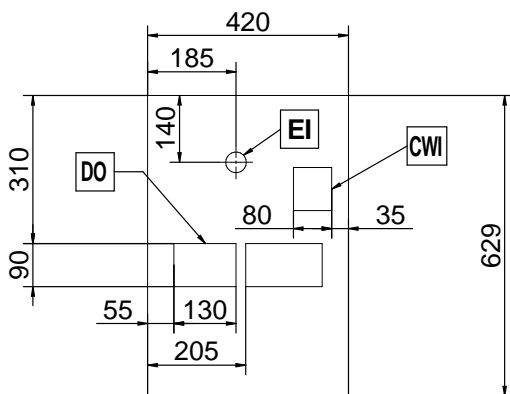
Front



Side



Top


Electric
Supply voltage:

 602558
 (TANGOACE1SELFCLC) 400 V/3N ph/50 Hz

Electrical power max.:

5.2 kW

Plug type:

Cable without plug

Water:
Cold water temperature (min/max):

5 / 60 °C

Key Information:
External dimensions, Width: 448 mm

External dimensions, Depth: 627 mm

External dimensions, Height: 846 mm

Net weight: 103 kg

Shipping volume: 0.69 m³
Sustainability
Current consumption:

7.5 Amps